



UNIQUE LED LIGHTS WITH TRUE FRESNEL PERFORMANCE

The ARRI L-Series is an LED Fresnel fixture so close to its conventional counterpart in function and performance that it creates a previously unattainable opportunity: like-for-like replacement of traditional Fresnels with LED-based units.

CUT. SHAPE. FOCUS. TUNE.

The L7 is the first LED fixture to truly incorporate the Fresnel characteristics of continuous focusability from spot to flood and a smooth, homogenous light field. The L-Series takes full advantage of LED technology and allows for complete control over the color and intensity of light. Light emitted from the L7 is specifically calibrated for optimal reproduction on broadcast and digital cinema cameras, ensuring pleasing skin tones and vividly rendered colors. Constructed to be robust and ergonomic, the L7 meets the quality and design standard for which ARRI is known.

The most recent addition to the L7 line is a brighter L7-C. Taking advantage of advancements in LED technology, the L7-C is now 25% brighter than previous versions. With the new Light Engine 2, the L7-C is more versatile than ever before. The LE2 (Light Engine 2) now comes standard with every L7-C. An upgrade for L7-Cs with LE1 is also available.



L7-C Color temperature, tint and hue can be continuously adjusted from 2800 K to 10,000 K, between full plus or minus green and RGBW colors.

L7-T Tuneable Tungsten allows for fine-tuning of the tungsten color temperature from 2600 K to 3600 K with increased brightness over the L7-C, and is particularly suited to applications requiring precise matching to conventional tungsten lampheads.

L7-D Tuneable Daylight allows for fine-tuning of the daylight color temperature from 5000 K to 6500 K with increased brightness over the L7-C, and is particularly suited to applications requiring precise matching to daylight balanced light sources.

2,800 - 10,000 K

2,600 - 3,600 K

5,000 - 6,500 K

15 % brighter than L7-C

15 % brighter than L7-C

Order No.	Description
L1.0003645	L7-C, LE 2, Stand-Mount, Blue/Silver, 7 m Cable, Edison Connector
L1.0003647	L7-C, LE 2, Stand-Mount, Blue/Silver, 3 m Cable, Schuko Cable
L1.0003648	L7-C, LE 2, Pole Operated, Blue/Silver
L1.0003650	L7-C, LE 2, Pole Operated, Black
L1.0003646	L7-C, LE 2, Hanging, Blue/Silver
L1.0003649	L7-C, LE 2, Hanging, Black

Order No.	Description
L1.31530TA	L7-TT, Stand-Mount, Blue/Silver, 7 m Cable, Edison Connector
L1.31530TD	L7-TT, Stand-Mount, Blue/Silver, 3 m Cable, Schuko Connector
L1.31530TR	L7-TT, Pole Operated, Blue/Silver
L1.31535TR	L7-TT, Pole Operated, Black
L1.31530TC	L7-TT, Hanging, Blue/Silver
L1.31535TC	L7-TT, Hanging, Black

Order No.	Description
L1.31530DA	L7-DT Stand-Mount, Blue/Silver, 7 m Cable, Edison Connector
L1.31530DD	L7-DT Stand-Mount, Blue/Silver, 3 m Cable, Schuko Connector
L1.31530DR	L7-DT Pole Operated, Blue/Silver
L1.31535DR	L7-DT Pole Operated, Black
L1.31530DC	L7-DT Hanging, Blue/Silver
L1.31535DC	L7-DT Hanging, Black

STAND-MOUNT versions include the following base configuration:

28 mm Spigot (Junior Pin), Inline Switch, Integrated 5-Pin DMX In and Thru.

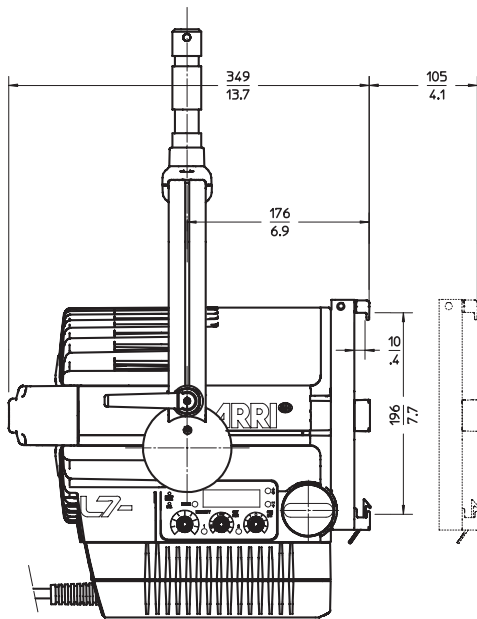
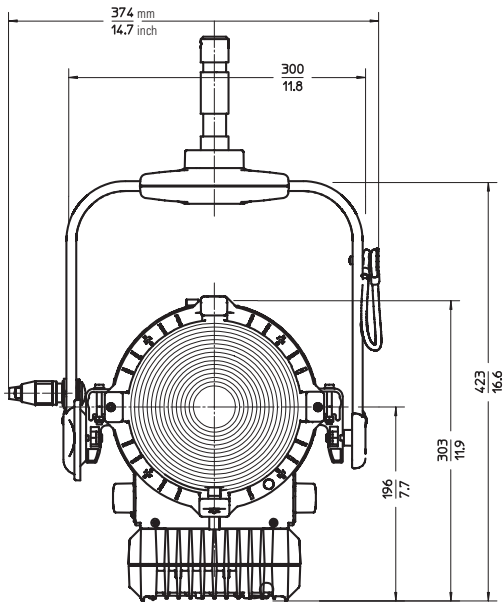
POLE-OPERATED versions include the following base configuration:

Pole Operation for Pan, Tilt and Focus, 28 mm Spigot (Junior Pin), 1.5 m (5 ft) Cable with Bare Ends, Integrated 5-Pin DMX In and Thru.

HANGING versions include the following base configuration:

28 mm Spigot (Junior Pin), 1.5 m (5 ft) Cable with Bare Ends, Integrated 5-Pin DMX In and Thru.





Specifications

Optical System	Focusable Fresnel
Lens Diameter	175 mm / 7 inch
Beam Angle	15° - 50° (Half Peak Angle)
Weight	Manual Version - 8.2 kg (18.1 lbs) Pole Op Version - 9.8 kg (21.6 lbs)
Handling	Adjustable Sliding Stirrup, High Strength Tilt Lock, Pole Operation Option (Pan, Tilt and Focus)
Mounting	28 mm Spigot (Junior Pin)
Tilt Angle	+/- 90°
Power Supply Range	100 - 250 V AC, 50 - 60 Hz
Power Consumption	L7-C & L7-TT: 160 W Nominal, 220 W Maximum L7-DT: 180 W Nominal, 220 W Maximum
Power Connection	Bare Ends / Schuko / Edison Connector
White Light	L7-C: 2800 K - 10.000 K Continuously Variable Correlated Color Temperature L7-TT: 2600 K - 3600 K Continuously Variable Correlated Color Temperature L7-DT: 5000 K - 6500 K Continuously Variable Correlated Color Temperature
Colored Light (L7-C only)	Full RGB+W Color Gamut with Hue and Saturation Control
Color Temperature Tolerance	+/- 100 K (nominal), +/- 1/8 Green-Magenta (nominal)
Color Rendition	L7-C: CRI Average >94, TLCI Average >90 L7-TT: CRI Average >94 L7-DT: CRI Average >92
Green-Magenta Adjustment	Continuously Adjustable (Full Minusgreen to Full Plusgreen)
Dimming	0 - 100% Continuous
Control	5-Pin DMX In and Through, Optional On-Board Controller, Mini-USB
Remote Device Management (RDM)	DMX Setup, Hour Counter and Standard RDM Commands
Mini-USB Interface	DMX Setup, Fixture Status and Firmware Upgrade Through PC Software
Housing Color	Blue/Silver, Black
Ambient Temperature Operation	-20 - 45° C (-4 - 113° F)
Protection Class	IP 20
Estimated LED Lifetime (L70)	50,000 hours
Estimated Color Shift Over Lifetime	< 200 K
Certifications	CE, GS, FCC, cNRTLus, CB, ISO9001:2000

All specifications are nominal / typical values.

Photometric Data (Nominal)

	3 m / 9.8 ft		5 m / 16.4 ft		7 m / 23.0 ft		9 m / 29.5 ft	
L7-C	3200 K	5600 K	3200 K	5600 K	3200 K	5600 K	3200 K	5600 K
Spot: 15°	6689 lx / 621 fc	7511 lx / 698 fc	2408 lx / 224 fc	2704 lx / 251 fc	1229 lx / 114 fc	1380 lx / 128 fc	743 lx / 69 fc	835 lx / 78 fc
Middle: 30°	1980 lx / 184 fc	2210 lx / 205 fc	713 lx / 66 fc	796 lx / 74 fc	364 lx / 34 fc	406 lx / 38 fc	220 lx / 20 fc	246 lx / 23 fc
Flood: 50°	807 lx / 75 fc	898 lx / 83 fc	290 lx / 27 fc	323 lx / 30 fc	148 lx / 14 fc	165 lx / 15 fc	90 lx / 8 fc	100 lx / 9 fc
L7-TT	3200 K		3200 K		3200 K		3200 K	
Spot: 15°	7444 lx / 692 fc		2680 lx / 249 fc		1367 lx / 127 fc		827 lx / 77 fc	
Middle: 30°	2133 lx / 198 fc		768 lx / 71 fc		392 lx / 36 fc		237 lx / 22 fc	
Flood: 50°	916 lx / 85 fc		330 lx / 31 fc		168 lx / 16 fc		102 lx / 9 fc	
L7-DT		5600 K		5600 K		5600 K		5600 K
Spot: 15°		8522 lx / 792 fc		3068 lx / 285 fc		1565 lx / 145 fc		947 lx / 88 fc
Middle: 30°		2444 lx / 227 fc		880 lx / 82 fc		449 lx / 42 fc		272 lx / 25 fc
Flood: 50°		1031 lx / 96 fc		371 lx / 34 fc		189 lx / 18 fc		115 lx / 11 fc